



Watchguard Home Alarm System

**Easy
to
Install**

Series II



Document: WGQStart V2.1.doc
Release: 27 February 2007








Quick Start Guide

Designed in Australia and Manufactured in Taiwan by



What You Get

Below is a list of parts included with system.

Item	Description	Qty	Image
1. Main control unit	The unit incorporates a powerful siren, flashing blue strobe & backup battery to run the system in case of mains power failure. There is also a tamper button. The system has mains connection via a low voltage plug pack that is supplied with the unit. For manual override of the system there is a keyswitch on the main unit.	1	
2. Remote controls	2 x High Security Code Hopping Remote Controls. These allow you to easily arm & disarm the system from anywhere in your home. In case of duress, you can trigger the alarm at any time from the remote control.	2	
3. Power Supply (plug pack)	The main unit requires a regular mains power supply. The Watchguard is supplied with a 9V AC plug pack that connects to the main unit.	1	
4. Screamer	This high frequency siren generates an intolerable noise to the human ear, and is designed to help repel intruders from within your home. It mounts easily to the roof of one of your rooms, and is simply cabled back to the main control unit (10m of cable is provided).	1	
5. Passive Infrared Detectors	Designed to detect the body movement of an intruder inside your premises. These intelligent devices allow simple installation, as no cable is required between the main unit and the detectors. The long life lithium batteries will last for up to 3 years, and the system will automatically let you know when the batteries need replacing.	2	
6. High Security – Override keys	Used for manually overriding the system if both remote controls are lost and also when the system is not being used (in storage).	2	
7. Mounting Material & Screws	4 large pan head screws, 4 green star plugs (for main unit), 4 medium counter sunk gyprock screws (for screamer), 2 wall plugs, 2 small counter sunk self tapping screws and mounting brackets (for detectors).		

Quick Function Test

Before installing the system physically in your premises as detailed in the full instruction manual i.e. before fixing units to your walls, we suggest that you setup the system as described below, so you can function test the unit prior to installation.

Simply follow these steps:

1. Connect the black female RCA plug from the power supply to the matching black male RCA plug coming from the rear of the main unit. These black plugs may be supplied as a DC socket and plug set.
2. In the room closest to where you will be mounting the main unit outside, place the main unit on a flat surface (sticker side up), and plug the power supply into an available power point.
3. Take your two detectors out of their boxes, open them and remove the insulating plastic tab from underneath one battery terminal. The red and green lights should flash multiple times. Replace the detector case. Now put them on a shelf at head height (approx 1.8m) in each room where a detector is to be installed. i.e. put one detector in your master bedroom, and one in your lounge room. Make sure it is located somewhere where you can walk past the detector, not directly at it. Refer to diagrams below:

Correct mounting of detector

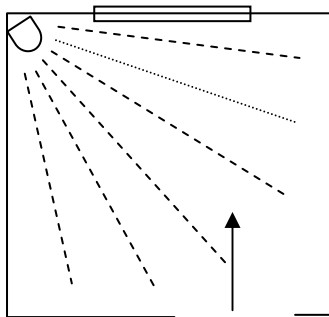


Diagram A:
Shows correct mounting position of Passive Infrared Detector in the corner of your room. When you walk into the room, you will be crossing the beams of the detector. This is how the detector senses movement most effectively.

Wrong mounting of detector

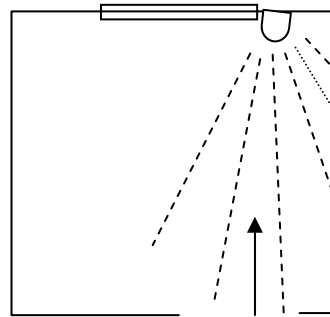




Diagram B:
Shows incorrect mounting position. When you walk into the room, you will be walking directly towards the detector. The detector will not detect movement as well as if it were fitted as shown in Diagram A.

4. Go back to the main unit, and turn the keyswitch to the on position (clockwise).
5. Wait 5 minutes. Do not walk into the rooms where you have placed detectors.
6. Now press Button 1 once. The siren should beep once & the strobe flash. The system is now armed.
7. Wait for 20 seconds (the arming delay) and then walk into the first room where you put one of the wireless movement detectors.
8. The siren in the main unit should sound.
9. Press Button 2 to cancel the siren. The siren will beep twice.
10. Now repeat steps 6-10 for the room with the second detector.
11. If the alarm did not trigger, please refer to the detailed section 3.8 in your main instruction manual regarding detector operation.
12. Once you have completed this test successfully, proceed to install the individual components as detailed in section 2 of your main instruction manual.

Basic Remote Control Functions

Press	Button 1
 <p>Press once to arm the system fully</p>	<p><u>ARMING</u></p> <p>Full System Turning On – all detectors will be activated to trigger the alarm system. This mode is to be used when there is no one staying at the premises.</p> <p>TO TURN ON the system in AWAY mode, press Button 1 for 1 second. You will hear 1 beep from the main unit. There is a 20 second exit delay i.e. the alarm can not be triggered by a detector until 20 seconds after arming – in other words you have 20 seconds to exit the protected area.</p>
<p>Press and hold (approximately 3 seconds) to activate PANIC mode</p>	<p><u>PANIC</u></p> <p>Personal Alarm – this is used to set the siren into alarm so that people in the surrounding area are made aware that there is a problem at your premises.</p> <p>To activate panic press and hold down Button 1 until the siren is set into alarm (approximately 3 seconds). The alarm will turn on i.e. siren will beep once and strobe will flash, and then the siren will sound for 5 minutes if not turned off beforehand.</p> <p>To deactivate panic press Button 2 for 1 second. The siren will stop and the system will disarm.</p>

Press	Button 2
 <p>Press once to disarm the system</p>	<p><u>DISARMING</u></p> <p>TO TURN OFF the system, press Button 2 for 1 second. You will hear 2 beeps from the main unit.</p>

Note

For full remote functions refer to *Section 3.1* in your main instruction manual.