



Model No: VSIP1MPVFD4-9MM

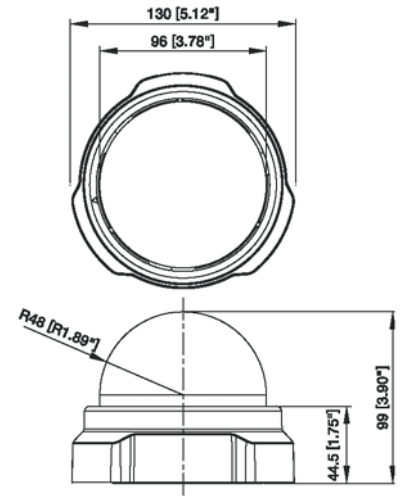


1.3 Megapixel

30m IR Day / Night Dome with 4-9mm Vari-focal Lens

System function:

- 1/3" Micron Progressive Scan CMOS
- Day and night function with Mechanical IR Cut Filter
- Integrated f3.3~12mm / F1.6 Megapixel varifocal lens
- 0 Lux (IR LED ON)
- H.264 / MPEG-4 SP / MJPEG triple codec with two simultaneous streams
- Up to SXGA resolution at 18 FPS
- Wide Dynamic Range function supported
- Shutter Speed, White Balance, Exposure, Gain Controls supported
- Two-way audio supported
- Hardware motion detection, Digital Input / Output
- DC 12V or Power over Ethernet (IEEE 802.3af) supported
- Surface / Pendant / Wall / Corner / Pole / Flush mount supported



SPECIFICATION			
Image Device	1/3" Micron Progressive Scan CMOS	Picture Resolution	SXGA (1280x1024); HD 720 (1280x720); VGA (640x480); QVGA (320x240); QQVGA (160 X 112)
Effective Pixels	1280 (H) x 1024(V)	Mount Types	Surface / Pendant* / Wall* / Corner* / Pole* / Flush*
Min. Illumination	0 Lux (IR LED ON)	Ethernet Port	Ethernet (10/100 Base-T), RJ-45 Connector
IR LED	30m (24pcs LED)	Protocol	TCP,UDP,HTTP,HTTPS,DHCP,PPPoE,RTP,RTSP,IPv6,DNS,DDNS,NTP,ICMP,ARP,IGMP,SMTP,FTP,UPnP
Focal Length	f3.3 ~ 12mm / F1.6	Web Browser	Microsoft Internet Explorer 6.0 or above
Sync. System	Internal	Temperature	-10 °C~50 °C
Electronic shutter	1/5 ~ 1/15,000 sec	Power Requirement	PoE (IEEE802.3af) with Class 3
White Balance	AUTO,INDOOR1,INDOOR2,OUTDOOR1,OUTDOOR2,HOLD CURRENT,MANUAL	Power Consumption	6.72 W (DC 12 V); 9.12 W (PoE)
Wide Dynamic Range	Yes	Dimensions (ØxH)	130 mm x 99 mm
S/N Ratio	Better than 44 dB	Weight	380g
Compression	H.264/MPEG-4SP/MJPEGsimultaneous dual streams selectable		*Sold separately

Website: www.rhino.com.au Email: sales@rhino.com.au

Head Office (Mon - Fri: 8:30am - 5pm): 9 Hannabus Place, McGraths Hill, NSW 2756 Australia Tel: (02) 4577 4708 Fax: (02) 4577 4885



Haberfield Branch
 Mon - Fri: 8:30am - 5pm, Sat: 9-1pm
 223 Ramsay Street, Haberfield,
 NSW 2045, Australia
 Tel: (02) 9716 0444 Fax: (02) 9799 2024

Villawood Branch
 Mon - Fri: 8:30am - 5pm, Sat: 9-1pm
 71 Middleton Road, Villawood,
 NSW 2163, Australia
 Tel: (02) 9743 8222 Fax: (02) 9743 8590

Wollongong Branch
 (Mon - Fri: 9 - 5pm)
 85 Princes Hwy, Fairy Meadow
 NSW 2519, Australia
 Tel: (02) 4228 8737 Fax: (02) 24228 8736