



## Key feature

### System function:

- 1/3" SONY high performance CCD, with the highest resolution reaching 1280x960
- High-precision motor with sensitive response and reliable movement. Precision bias less than 0.1°. No vibration under any selected speed
- 3D intelligent positioning function. Through software or DVR, it can realize tracking and enlarging
- OSD menu in multiple languages and operation hint capability
- Power-off protection of setup parameters
- Power-off memory function: restore PTZ & Lens status after reboot
- Lightning protection, surge protection and voltage transient protection capabilities
- Outdoor dome meets IP66 standard

### Camera function:

- Auto iris, auto focus, auto white balance, backlight compensation and auto/manual day & night switch

### PTZ function:

- 360° endless pan range and -5°-90° tilt range
- Max. pan preset speed of 75°/s and max. tilt preset speed of 50°/s
- Manual pan speed of 0.2° ~75°/s and manual tilt speed of 0.2° ~50°/s
- 256 presets programmable; preset image freezing capability
- 8 patrols, each patrol up to 32 presets
- 4 patterns, with the total recording time not less than 10 min
- Proportional zoom function, with rotation speed adjusted automatically according to zoom multiples
- Park action: auto callup of preset / patrol / pattern / auto scan / random scan / frame scan / panorama scan, after a defined time of inactivity
- 1 alarm inputs and 1 alarm outputs, providing alarm response actions of preset/ patrol/ pattern/ SD card recording/ relay output / notification on client

### Network function:

- H.264 video compression and the latest Davinci processing chip and platform, ensuring stable and reliable

performance

- Ethernet control and analog signal output
- View and control of video images via IE browser and client software
- SDHC card and SD card
- 3 user levels defined for operation permission
- Dual stream technology
- Multiple network protocols supported: TCP/IP, HTTP, DHCP, DNS, RTP/RTCP, PPPoE (FTP, SMTP, NTP, SNMP addible)
- 1 audio input and 1 audio output

## Application

It can be widely used in wide range environments which requires high-definition video quality, e.g. river, forest, highroad, railway, airport, port, oil field, sentry, piazza, park, scenic zone, street, station, venue, and etc.

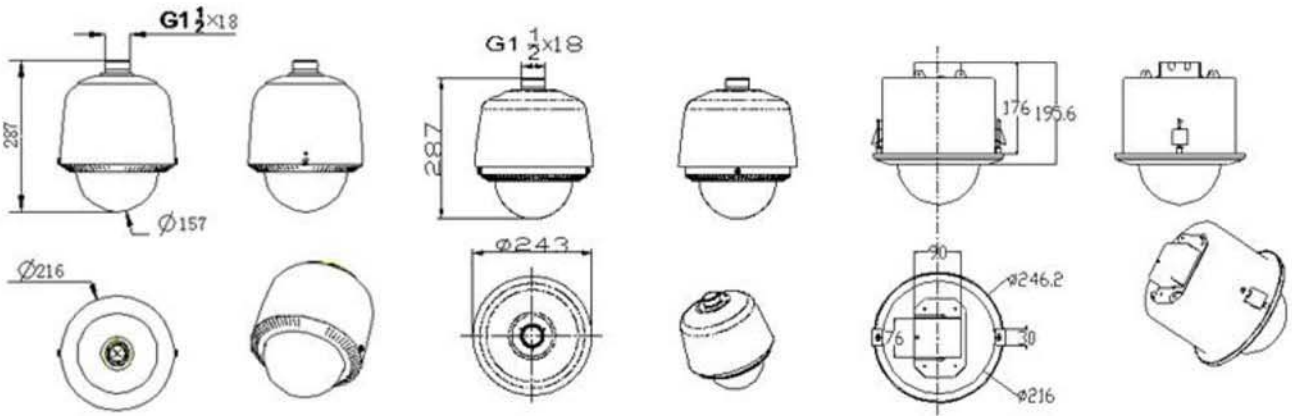
## Specificasion

Model		VSIP1MPPTZ
Camera	Image Sensor	1/3 Inch Sony Progressive Scan CCD
	Effective Pixel	1280(H)×960(V)
	Min.Illumination	0.1Lux/F1.6(Color)
		0.01Lux/F1.6(B/W)
	White Balance	Auto / Manual / ATW / Indoor / Outdoor
	AGC	Auto / Manual
	S / N Ratio	More than 50dB
	BLC / WDR	BLC(On / Off)
	Electronic Shutter	1/25~1/100,000s
	Day & Night	ICR
	Digital Zoom	12x
Focus Model	Auto / Semiautomatic / Manual	
Lens	Focal Length	4.95-49.5mm, 10x
	Zoom Speed	Approx.2s(Optical Wide-Tele)
	Angle of View	51.7-5.55 degree (Wide-Tele)
	Min. Working Distance	10-1500mm(Wide-Tele)
	Aperture Range	F1.6-F2.0
Pan and Tilt	Pan Range	360°endless
	Pan Speed	Pan Manual Speed: 0.2°~75°/s,
		Pan Preset Speed: 75°/s
	Tilt Range	-5°~90°
	Tilt Speed	Tilt Manual Speed: 0.2°~50°/s,
Tilt Preset Speed: 50°/s		
Proportional Zoom	Support	

	Number of Preset	256
	Patrol	8 patrols, each patrol up to 32 presets
	Pattern	4 patterns, with the total recording time not less than 10 min
	Power-off Memory	Support
	Park Action	Preset / Patrol / Pattern / Auto scan / Random scan / Frame scan / Panorama scan
	PTZ Position Display	On / Off
	Freeze Frame	Support
<b>Alarm</b>	Alarm Input	1 inputs
	Alarm Output	1 relay outputs, alarm response actions option
	Alarm Actions	Preset, Patrol, Pattern, SD card recording, Relay output, Notification on Client
<b>Input/ Output</b>	Monitor Output	1.0V[p-p] / 75Ω, NTSC (or PAL) composite, BNC
	Audio Input	Audio input (LINE input), 2-2.4V[p-p]; output impedance: 1KΩ, ±10%
	Audio Output	Line level, impedance: 600Ω
<b>Network</b>	Ethernet	10Base-T / 100Base-TX, RJ45 connector
	Max.Image Resolution	1280×960
	Frame Rate	12.5fps(1280×960), 25 fps (1280×720), 25 fps (640×480)
	Image Compression	H.264
	Audio Compression	OggVorbis / 16kbps
	Audio Mode	Off / Audio input / Audio output
	Protocols	TCP/IP, HTTP, DHCP, DNS, RTP / RTCP, PPPoE (FTP, SMTP, NTP, SNMP addible)
	No. of Simultaneous Users	Up to 6 users
	Dual Streams	Support
	Mini SD Memory Card	Manual REC / Alarm REC. Compatible SDHC Standard Cards
	User/Host Level	3 Levels: Administrator, Camera control, Live only
	Security Measures	User authentication (ID and PW), Host authentication (MAC address)
<b>Client GUI</b>	Camera Control	Pan / Tilt, Zoom, Focus, Click centering, Drag zoom, Iris, Preset position call and program, Auto mode.
	OSD	Up to 18 characters
	Clock Display	Time: Week: Date, 6 formats on the Client
	Reading Patrol Message	Display and reading of preset message contained in each patrol via client software
<b>General</b>	Menu Language	English, Chinese
	RS-485 Protocols	HIKVISION, Pelco-P, Pelco-D (addible), self-adaptive
	Power Supply	24VAC (12V DC option)
	Power Consumption	15W max(30W max with heater, outdoor dome)
	Working Temperature / Humidity	-30 °C~65 °C(outdoor) / -10 °C~50 °C(indoor ) 90% or less
	Protection Level	IP66 standard (outdoor dome)

		TVS 3000V lightning protection, surge protection and voltage transient protection
Mounting		Various mounting modes option
Dimension		Φ243(mm)×287(mm)
Weight (approx.)		5kg
Mount Option		Wall mount (model: VSIP1611ZJ)

### Dimension



Unit:(mm)

### Accessories



Long-arm Wall Mount Bracket (White) (model: VSIP1611ZJ)