

Victory Series 2.0 Megapixel Mini Bullet Camera

Model: VSCVI2MPFBIR



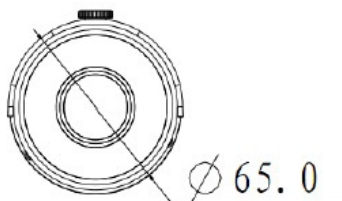
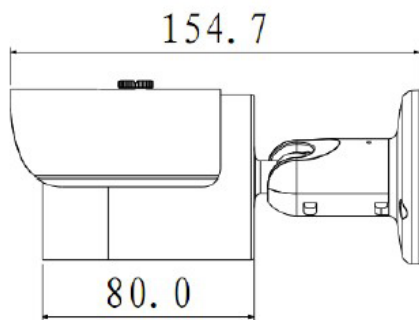
Product Overview

The Securview Victory Series VSCVI2MPFBIR is a 2.0 megapixel, fixed lens, infrared bullet camera and is capable of providing 1080p High Definition footage over coaxial cable.

It uses the HDCVI video transmission standard which enables transmission distance up to 300m (1080p using 75-3 coax). Its compact size and IP66 rating makes it a perfect surveillance solution across a wide range of applications.

This camera is only compatible with digital video recorders in the Securview Victory Series.

Additional Details



Specifications		
General	Camera Style	Weatherproof Mini Bullet
	Chipset	-
	Image Sensor	1/3" 2.0 Megapixel CMOS
	Effective Pixels	1920 (H) x 1080 (V)
	Signal Noise Ratio	> 50dB
Camera	Lens	3.6mm Fixed Lens
	Angle of View	90°
	Electronic Shutter	1/3 ~ 1/100,000s
	Minimum Illumination	0.05 Lux at F1.2 (Colour) / 0 Lux IR Active
	Day/Night	Auto (ICR) / Colour / B&W
	White Balance	Auto
	Noise Reduction	2D / 3D
	Gain Control	Auto/Manual
	Backlight Compensation	BLC / HLC / DWDR
	Audio Input	N/A
	Audio Compression	N/A
	Transmission Distance	Over 300m via 75-3 coaxial cable
	Synchronisation	Internal
	OSD Menu	Support
Alarm Interface	N/A	
Video	Video Compression	H.264 / MJPEG
	Resolution	1080p(1920x1080) / 720p (1280x720) / D1 (704x576)
	Frame Rate	1080p / 720p (25fps)
	Video Output	BNC CVI HD output / CVBS SD output (switchable)
Environment	Ingress Protection	IP66
	Vandal Resistant	No
	Maximum Infrared Range	20m
	Power Input	DC12V±10%
	Power Consumption	< 4.5W
	Dimensions	70 x 66 x 160mm
	Weight	0.38kg
Operating Environment	-30° to 60°C / RH95% (max)	

Your Securview Victory Series dealer: