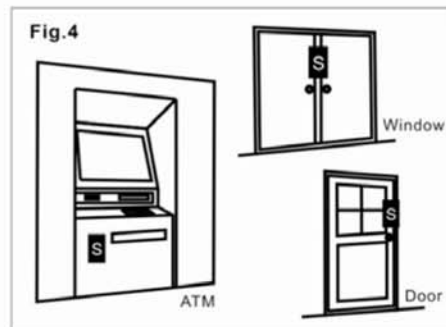
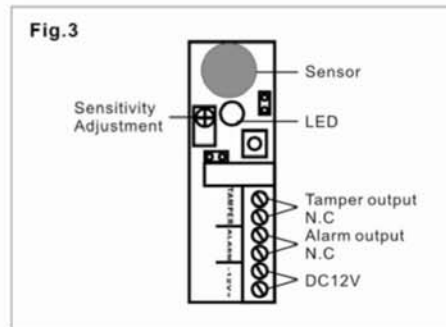
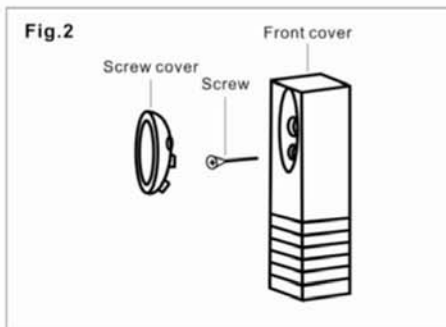
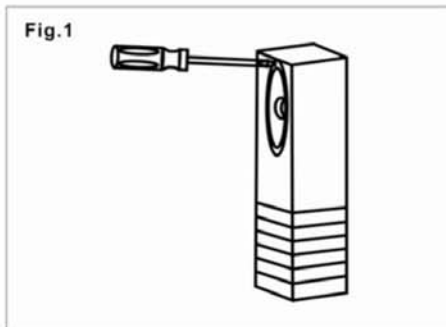




Shock Sensor

Model: SHOCKHW



Installations

Open the cover (fig.1).
Retain the cover and loosen the screw (fig.2).
Remove the main front cover carefully and avoid dropping the crew.
Punch out Knockout at the bottom or the side of the detector (fig.3) and Remove knockout for cable entry.
Attach base to a correct position. And feed the cable into the detector(fig.4).

Sensitivity Settings

Adjust the sensitivity to the correct point.

Test

Replace front cover
Apply power and wait until stabilized (>2 minutes)
Do necessary test and observe LED, confirm sensitivity to the correct point.
Tighten the holding screw to secure the PC Board.

Specifications

Operating Voltage: 9 to 16VDC
Current: 11mA at 12 Volts
Alarm Contracts: 0.1amps, 24 Volts, NC
Tamper Contacts: 0.1amps, 24 Volts, NC
Alarm Time: 2.2s min
Warm time: <2 minutes
Operating Temperature: -20°C to 50°C
Storage Temperature: -20°C to 60°C
Mounting Fashion: surface
Size: 85×26×25mm

Terminal Connections

Wire the cable to the terminal block at the bottom of the detector:
12VDC: Power supply inputs
Alarm: N.C dry contacts
Tamper: N,C dry contacts