

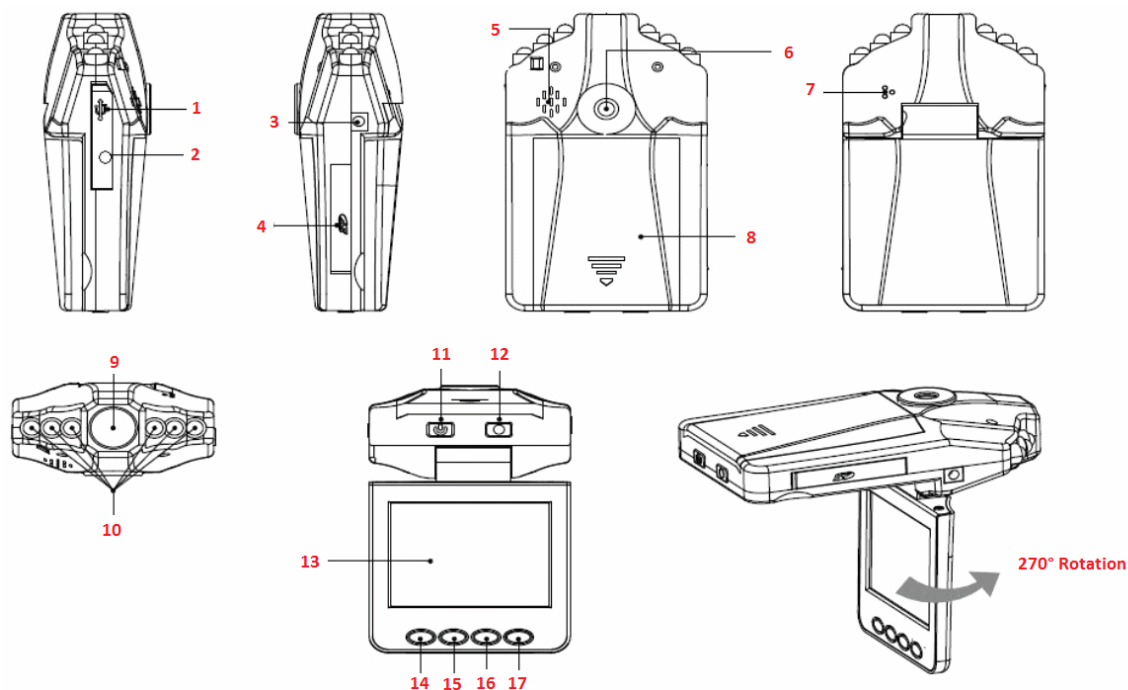


Single Camera Mobile Digital Video Recorder

Model: MDVR-HDV5
USER MANUAL



Thank you for purchasing a MDVR-HDV5 in-car video recorder. In order to help you operate it correctly, please read these instructions carefully before use.



Product Diagram

- USB Slot
- AV Port
- DV-5V Input
- SD Card Slot
- Speaker
- Mount Hole
- Microphone
- Battery Cover
- Lens
- Night IR LEDs
- Power Button
- 'REC' Record Button
- 2.4 inch LCD
- Menu Button
- Down Button
- Up Button
- Mode Button

Included Accessories

- Windscreen Suction Mount
- USB Cable
- Car Charger
- 4GB SD Card (supports up to 32GB)

Basic Operations

Start Up

The MDVR-HDV5 can be activated by pressing the **POWER button** for 2 seconds. Pressing the **POWER button** when on, will turn the DVR off. The unit can be charged by connecting it to a PC with USB cable or by using the car charger. Note – the MDVR-HDV5 will record automatically when powered on in car charger. It will turn off and save the last file when car key is removed from ignition.

Recording Video

To start/stop video recording, press **REC Button** in Video mode. Recording status is indicated by the flashing blue light behind the **REC Button** on the DVR. The video file is saved on the SD Card. The MDVR-HDV5 will enter into default recording mode when powered on. Recording will also end when the car ignition is switched off. Zoom in and out (up to 8x zoom) using the **UP** and **DOWN Buttons**. Videos are recorded in .AVI format.

Capturing Images

Turn on the DVR and press **MODE Button** to enter into Camera mode. Take a photo by pressing **REC Button**. Zoom in and out (up to 8x zoom) using the **UP** and **DOWN Buttons**.

Review Video and Images

Turn on the MDVR-HDV5 and press **MODE Button** twice to enter into Playback mode. Press **UP** or **DOWN** to select the desired file. Video files can be played and paused by pressing **REC Button** and stopped by pressing **MODE Button**. If you want to delete a file, press **MENU Button** to enter into settings and select delete with the **REC Button**. You can delete the file you are viewing, all of the files currently stored on the device or select from a list. Playback volume of videos can also be modified using this menu.

Display on TV

Connect the AV link of MDVR-HDV5 to a compatible TV and it will enter into Playback mode automatically. Device operation is identical to the above Playback mode.

USB Mode

Connect MDVR-HDV5 with computer by USB cable, Autoplay will open with removable disk options. The files on the SD card are stored at Removable Disk Drive (e.g. F:/DCIM/100DSCIM). The recorded files can now be downloaded to the computer.

Setting Configuration

Press the **MENU Button** once while in Video, Camera and Playback modes to open their respective setting configuration menus. Pressing the **MENU Button** again will enter the device setting configuration menu. Each of these menus can be navigated using the **UP/DOWN Buttons**. Confirm options with the **REC Button**. Press **MENU Button** again to exit.

A. Video Settings

1. Size (Resolution): QVGA, VGA, D1, HD, SXGA
2. EV (Exposure Value): -2.0 to +2.0
3. White Balance: Auto, Daylight, Cloudy, Tungsten, Fluorescent
4. Time Stamp: Off, Date Only, Date &Time
5. Motion Detect: Off/On
6. Video Time (length of video files): Off, 1Min, 2Min, 3Min, 5Min, 10Min, 15Min
7. Audio: Off/On
8. Night Mode: Off/Auto

B. Camera Settings

1. Size: VGA, 1.3M, 2M, 3M, 5M, 8M, 12M
2. Quality: Fine, Standard, Economy
3. Scene: Auto, Sport, Night, Portrait, Landscape, Backlight
4. EV: -2.0 to +2.0
5. White Balance: Auto, Daylight, Cloudy, Tungsten, Fluorescent
6. ISO: Auto, 100, 200
7. Colour: Standard, Vivid, Sepia, Monochrome
8. Saturation: High, Low, Normal
9. Sharpness: Hard, Normal, Soft
10. Time Stamp: Off, Date Only, Date &Time
11. Burst (continuous 3 image capture): Off/On

C. Playback Settings

1. Delete: Single, All, Select
2. Volume: 1 (soft) to 8 (loud)

D. Device Settings (Press MENU Button Twice)

1. Format (wipe SD card): Cancel/Execute
2. Beep: Off/On
3. Language: English/French/Deutsch/Italian/Spanish/Portuguese / Trad.Chinese/Sim.Chinese/Japanese/Russian/ Turkish/Korean
4. Auto Off (power automatically turned off to preserve battery): 1Min, 3Min, 5Min, Off
5. System Reset: Cancel/Execute
6. Light Frequency: 50Hz/60Hz
7. TV Output: NTSC/PAL
8. Date Input: Set Date and Format using **UP/DOWN Buttons** and confirm using **REC Button**.
9. USB (default option when plugged into PC): PC(web) Cam/Disk Drive
- 10.Version: Check software version