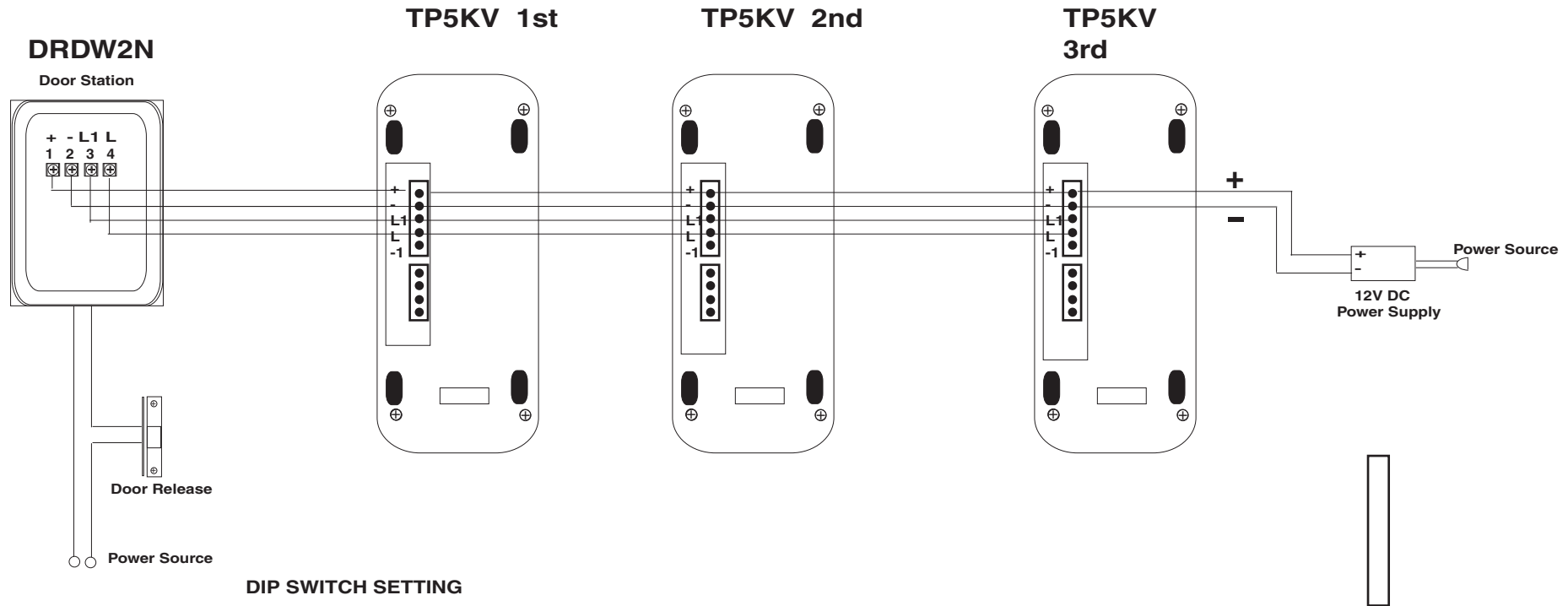
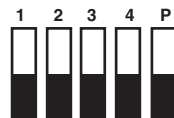


Echotone Pty Ltd - Wiring Diagram

TP5KV - DRDW2N



DIP SWITCH SETTING



ON- when on, chime call from door station as well as all paging function from other handsets activate
 OFF- when off, no chime or paging on handset with "off" switch



*NOTE- when a door electric door strike is connected, handset number 1 (dip switch 1) should be left, unused for door release button